

# HLP4000

The 4000 model has four 1 KW Glare Control lamps, fitted into four individual cassettes.

Lamps emit short wave infrared heat ideal for optimizing drying of waterborne paints.

This flexible system allows each cassette to be adjusted and locked into position around the contours of the vehicle body, ensuring maximum area coverage.

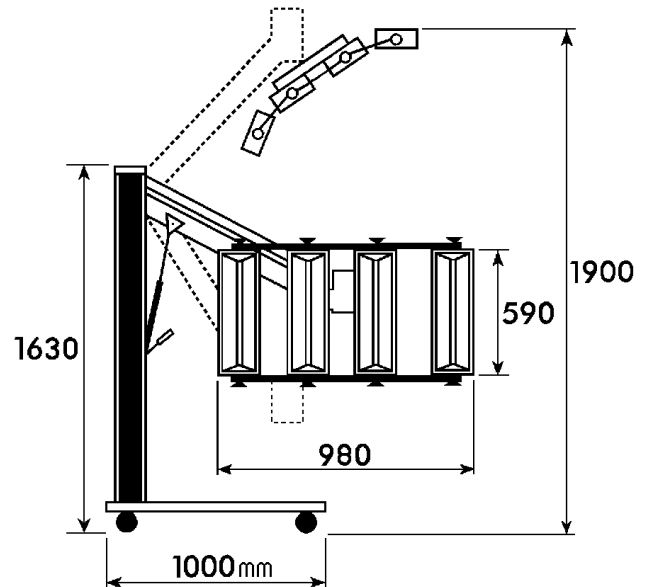
Height adjustment is made using the high performance locking gas strut, offering a near weightless movement to the cassette support arm.

Typical drying cycle only costs 12 Pence (Based on 1Kw/hour of electricity costing 12 pence)



## Product features include

- 500mm 1Kw High output GC short wave tubes fitted to each cassette.
- Long lamp/emitter life with an average of 6000hours. Typically 4 – 5 years continuous professional use.
- Specially designed electronic power and time control, offering 0 - 100% heat instantly through twin 30 minute timers on both the Flash and Bake settings.
- Robust steel constructed stable frame, fitted with rear wheel locking castors.
- Maintenance free cassettes with no fan or filter changes.
- Easy height adjustment by locking gas strut.
- Individually switched cassettes.
- Horizontal or vertical cassette operation.



**Area coverage:- 800mm x 1300mm**  
Minimum operating distance:- 500mm  
Max vertical curing height:- 2030mm  
Max horizontal curing height:- 1800mm

### **Average curing specification**

Filler / Stopper:- 4 – 6 minutes  
Primer:- 6 – 8 minutes  
Top coat:- 10 – 12 minutes

### **Electrical specification**

220/240 Volt 4KW 50Hz single phase 17amps

## **La Grand E.V.O**

Opzoomerstraat 21 b  
3023 SE Rotterdam  
tel. 010-2449966  
lagrand-evo@planet.nl  
www.lagrand-evo.nl



Distributed by